

**Committed to Well-Being
With Innovative Technology**



Thinking ahead. Focused on life.



Diagnostic/Imaging Equipment

Intra-Oral X-Ray Unit

Diagnostic/Imaging Equipment



Treatment Units



Handpieces & Small Equipment



Endodontic Systems



Laboratory Devices



Educational & Training Systems



Auxiliaries





Veraview iX

Thinking ahead. Focused on life.

Veraview iX

Intra-Oral X-Ray Unit

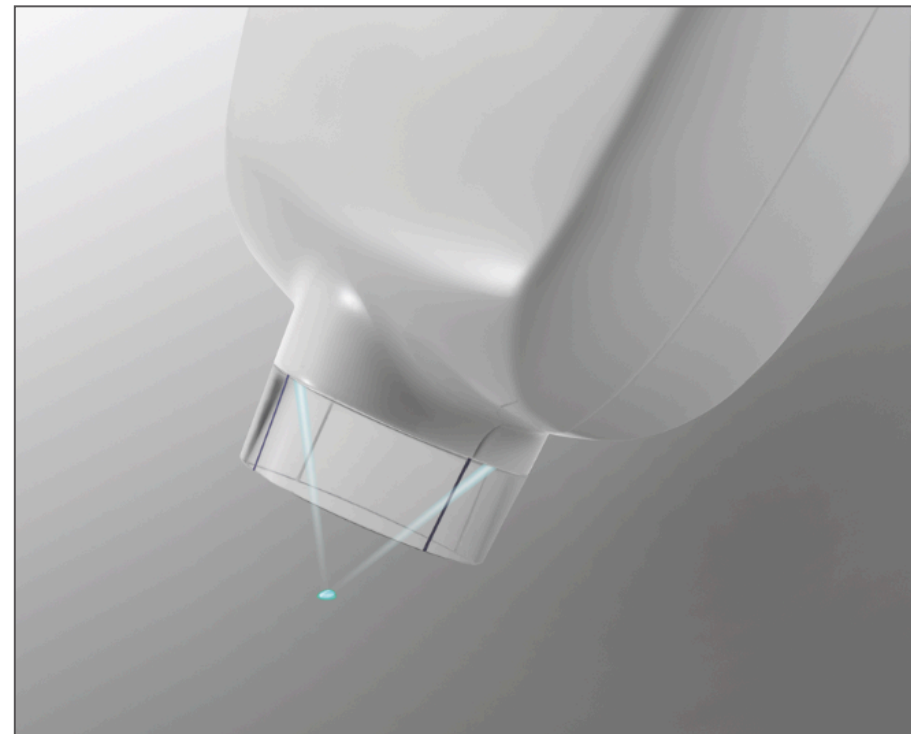
- ✦ Unique LED focal point positioning
- ✦ Compact, lightweight design
- ✦ Multiple exposure settings options
- ✦ Short or Long cone option
- ✦ Constant voltage DC generator
- ✦ Illuminated pictogram menu



Veraview iX

Unique LED Focal Point Positioning

- Veraview iX's unique LED focal point positioning guide eliminates guesswork for accurate alignment
- Two LED light beams converge into a single focal point for visual confirmation of correct alignment for accurate x-rays
- A short, transparent x-ray cone is also featured to ensure superior visibility



Veraview iX

Compact Design with Exceptional Image Quality

- The compact Veraview iX will take up minimal surgery wall space and can be efficiently integrated into the workflow of the surgery
- It's wall-mounted, streamline design enables variable adjustment, allowing optimal adaptation of Veraview iX for all patient intra-oral imaging requirements
- Robust multiple mounting points ensure smooth arm movement and stability when exposing.



Veraview iX

Constant Voltage DC Generator

- ✦ By utilizing a high frequency, direct current (DC) generator, Veraview iX produces “hard” x-rays which offer reduced dosage compared to units that operate with an alternating current
- ✦ Tube voltage can be set at 60kV or 70kV



Veraview iX

Optional remote mounted control panel



- ✦ The control panel and emission switch can be remotely mounted away from the main xray housing.
- ✦ Reducing the need for the operator to be in the room during exposure.
- ✦ Optional internal or external cabling.



Veraview iX

Clear & Precise Controls

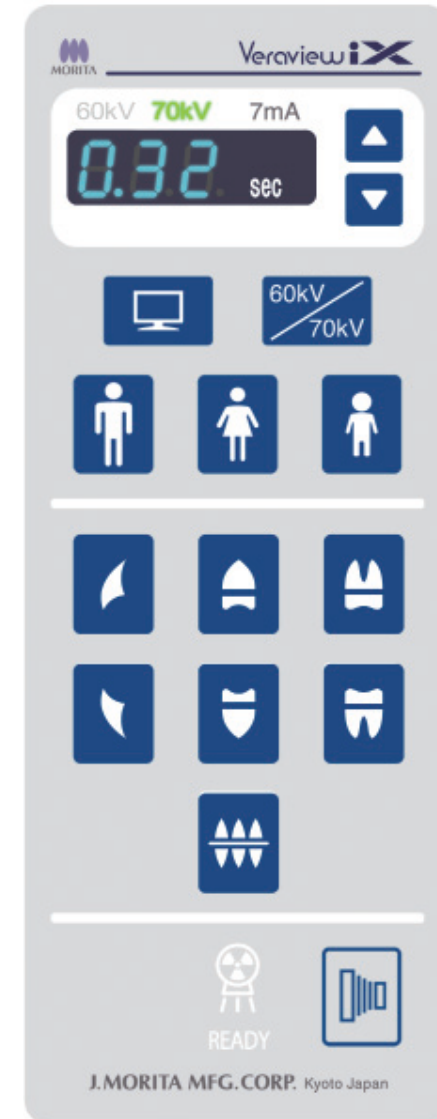
- An Illuminated Pictogram Menu ensures that all selections can be confirmed by the operator at a glance
- LED control buttons can easily be selected for the appropriate setting required for each image to be captured
- An optimized exposure time is set after the exposure parameter selections are made



Veraview iX

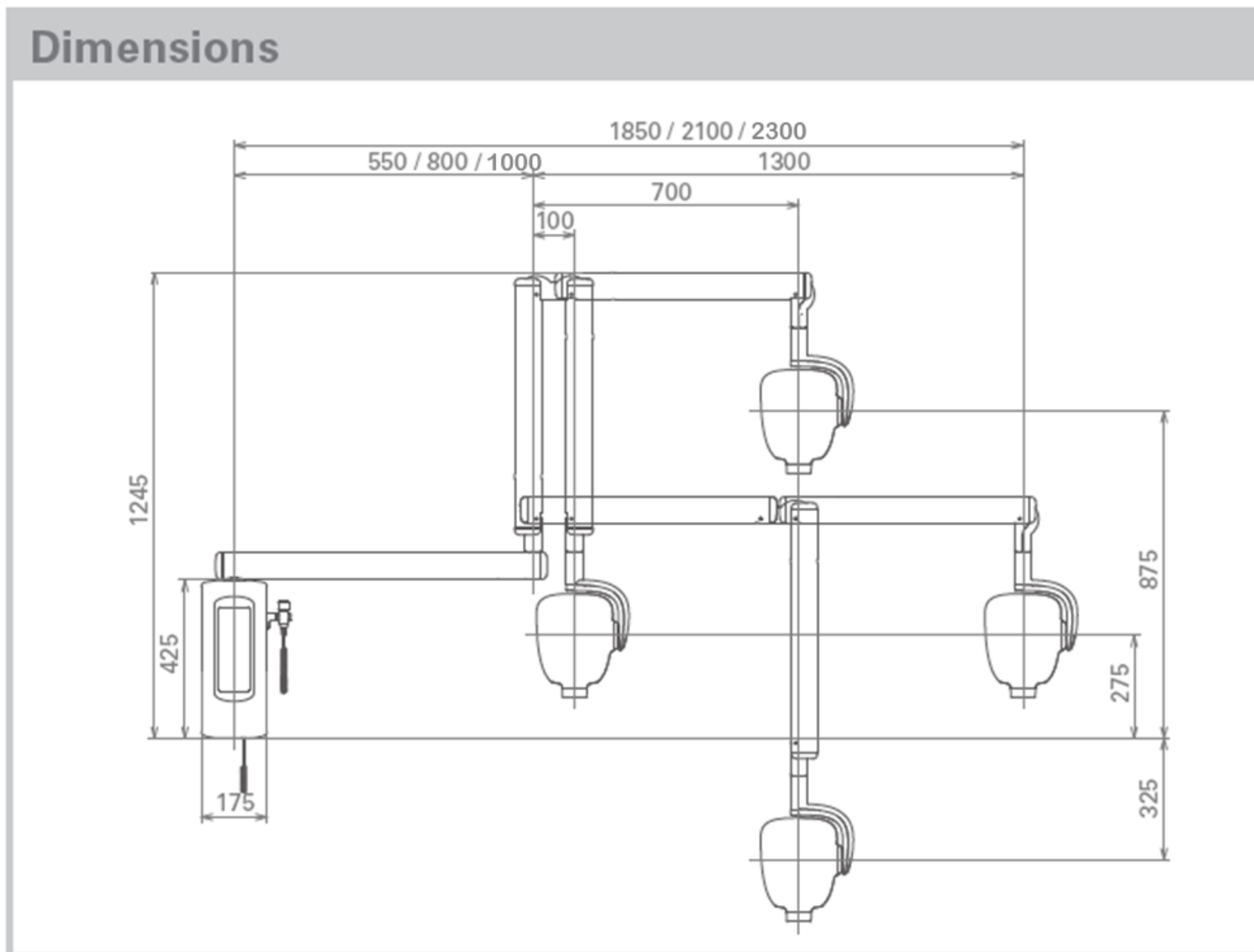
Exposure Parameters

- ✦ Selectable tube voltage of 60 or 70 kV (The current is fixed at 7mA)
- ✦ Digital or film scan options are available.
- ✦ Select from 3 patient physical build sizes
- ✦ Select region or tooth of interest
- ✦ The exposure time will be automatically set. The operator has the option to adjust this time via the touch panel.
- ✦ All exposure parameter defaults can be changed and stored as required.



Veraview iX

Dimensions



Veraview iX Specifications

Specifications			
Model	Veraview iX		
Voltage	100-120 / 220-240 VAC		
Power Consumption	1.9 kVA		
Tube Potential	60 / 70 kV		
Tube Current	7 mA		
Exposure Time	0.01~2 seconds		
Weight	approx. 25 kg		
Dimensions (Model Options)			
Short Arm	Length: 1850mm	Short Cone Reach	1750mm
		Long Cone Reach	1650mm
Standard Arm	Length: 2100mm	Short Cone Reach	2000mm
		Long Cone Reach	1900mm
Long Arm	Length: 2300mm	Short Cone Reach	2200mm
		Long Cone Reach	2100mm

Thinking ahead. Focused on life.

Veraview iX

Media





Thinking ahead. Focused on life.