



Signo T100



Thinking ahead. Focused on life.

Excellent Design

signo T 100

Technology meets Aesthetics

The new Signo T100 is based on a clear architectural structure evolving from the Signo T500 premium model with an individual pantograph lifting mechanism seat design. The new Signo T100 represents an uncompromised result of the Morita DNA.

- Timeless design.
- Sophisticated manufacturing quality.
- Solidity, reliability and longevity.

The new Signo T100 encompasses ideally the general design philosophy of Studio F. A. Porsche with the professional standards of Morita. It offers simple functionality and ease of maintenance, and its pure white body color blends in with the space and brings a sense of calmness.



Simplicity and Performance



Pantograph Lift Mechanism

The cantilevered chair is coupled with a pantograph lift mechanism, the most widely used height adjustment mechanism in the world. Patients can stretch out their legs during treatment, which means they are less stressed and can cope with longer treatments.



Minimum 400 mm Height for Enhanced Safety

The chair can be lowered to just 400 mm, making it easy for older people and children alike to get on and off safely and with ease.



Luna Vue TS for Optimal Visibility

The long-lasting energy-efficient single LED of the Luna Vue TS provides 30,000-lux of brightness and four levels of adjustment to ensure optimal visibility for the operator. The optional Touchless Sensor enables the light to be turned on or off without making direct contact for enhanced hygiene.



Easy-to-Clean Holders

The fixed insert holders feature a simple design and are easy to clean.



Swing Model (Option)

Equipped with a Dual-Balanced Arm System. This system reduces the weight of the instrument, which is a burden during medical treatment. In addition, it is hygienic because the tube can be operated while raised above the floor.



Easy-to-Use Foot Controller

The low angle of the foot switch minimizes strain on the ankle from extended periods of operation and the chair's manual lever has an intuitive design for enhanced ease of operation. An optional movable pedal guard is also available.



Headrest : Simple Design for Ease of Operability

The simple design of the headrest makes it easy to adjust and it is shaped in such a way as to prevent unwanted movement of the patient's head during treatment. A twin-axis headrest is available as an option.



Table Moves Effortlessly

The table with its integrated holders moves smoothly around a central axis.



Basin Cleaning Function

The water supply for the cup also cleans the basin automatically. It can also be cleaned manually and set to clean continuously.

Easy Maintenance



Flushing device (Option)
This flushing device drains residual water from the unit's piping. The flushing adapter can be stored inside the unit.



Vacuum Filter
The vacuum filter to be cleaned every day is located behind the assistant-side holder where it is easy to access.



Filter Cartridges (Option)
The porous hollow-fiber membranes in the cartridges capture bacteria and other contaminants to supply both clean air and clean water.

Swing Arm

Reduces strain on the wrist caused by the weight of instruments.
Equipped with a Dual-Balanced Arm System that balances the swing arm even in the vertical position. It reduces strain on the wrist and enables smooth medical treatment.



Auxiliary Tray (Small)



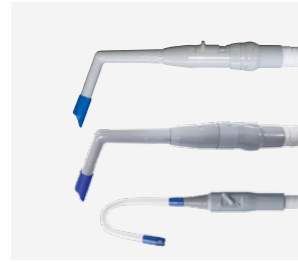
Auxiliary Tray (Large)

Styles Versatile choice of treatment style
The auxiliary tray is available in two sizes, large and small, and tray arm is available in three types, making it possible to accommodate a variety of treatment styles.

Equipment



Ultrasonic Scalers
 Solfy U (SC-7000T2/SC-7000-O)
 Solfy U (SC-7000/SC-7000-O)
 Newtron (LED)



Vacuum Syringes
 Rotary vacuum syringe
 Grip-switch type vacuum syringe
 Saliva ejector



One-touch Connectors (water supply)
One-touch Connectors (air supply)



Luna Vue TL EL mirror



Small Tray Paper Holder



Free-Mount Vacuum Device



Mouse Tray



Separately Mounted Piping Pit



Doctor-Side Armrest
Assistant-Side Armrest



Three Way Syringe WS90P



Side handle

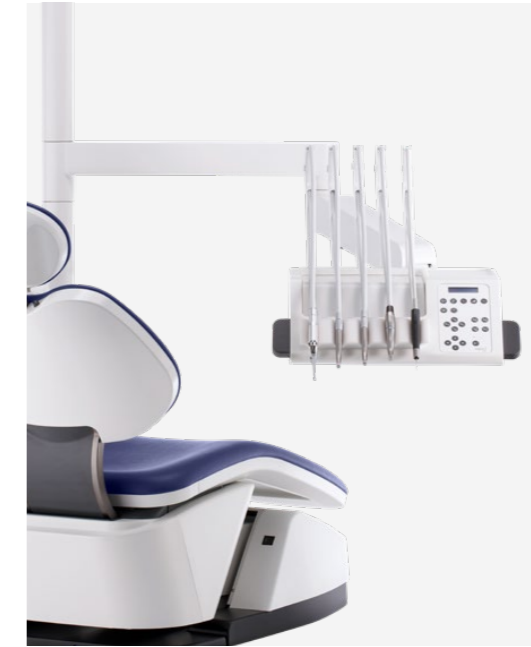


Under handle

Tray Type



Standard Model



Swing Model

Operating Stool



Operating Stool T2
 The backrest, which can double as an armrest, can be rotated freely while sitting, enabling the operator to maintain a stable posture.

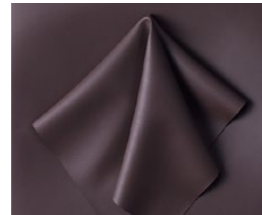
Colors



Lamb (T-WH)



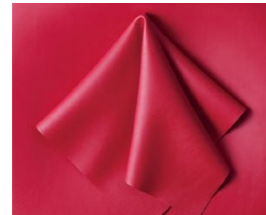
Clay (T-BE)



Caribou (T-BR)



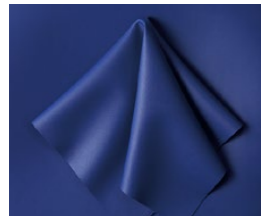
Black (T-BK)



Deep Red (T-RE)



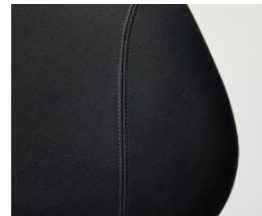
Soleil (T-OR)



Night Sky (T-BL)



Aloe (T-GR)

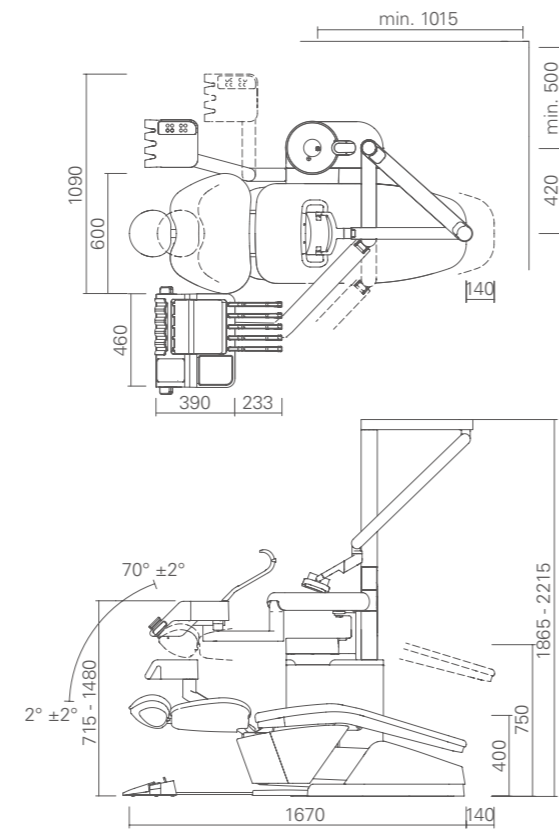


Luxury Seat

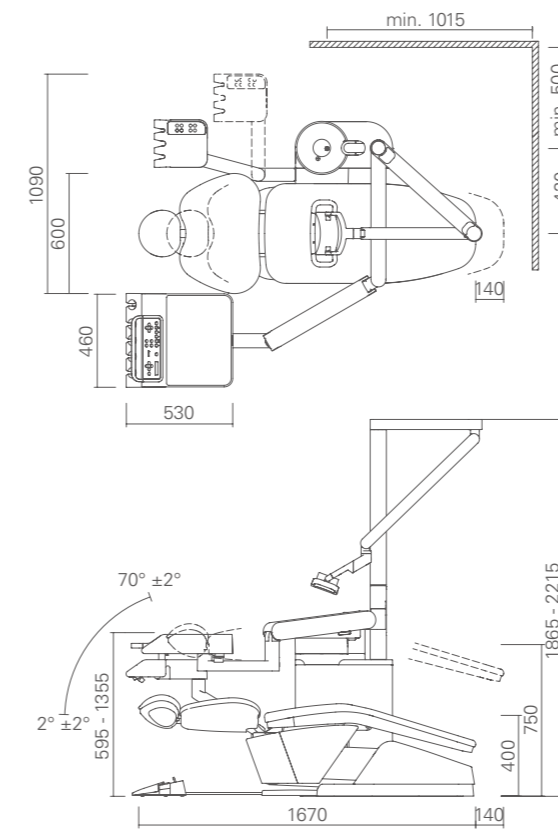
(A variety of colors are available.)

Specifications

Contour Type, Over Arm



Swing Type, Over Arm



Features	
Air turbine circuit (Midwest 4Hole tubing, without Coupling also no Twin Power turbine, with optic)	●
Variable speed control function for High speed handpiece	△
Clean air system	△
Micromotor circuit with TR-S3 (without handpieces ST-DH · CA-DC without Fiber optic)	●
Micromotor circuit with TR-S3-O	△
TorqTech ST-DH	△
TorqTech CA-DC	△
Ultrasonic Scaler Solfy T2 (SC-7000T2/SC-7000T2-O)	△
Ultrasonic Scaler Solfy F (SC-7000/SC-7000-O)	△
Ultrasonic Scaler Newtron (Newtron/Newtron LED)	△
2 x Three-way syringe WS-201 no heater	●
WS10-O-LD (with LED light)	△
High power suction syringe VS110	●
Vacuum syringe (φ16 ROTARY type) VS110R	△
Vacuum syringe (φ16 Hand switch type) VS112	△
Saliva ejector SE110	△
Central vacuum system (without vacuum tank and shut-off valve)	●
Separate vacuum system (with separator tank and EV valve)	△
Piping separately placed type	△
Twin-axis headrest	△
Foot controller (FCA03)	●
Pedal guard	△
Cordless controller (FCA01)*1	△
Luna Vue TS (LED 1 lamp Type) (with Auto light ON/OFF specification) (Light arm 1-axis type)	●
Luna Vue TL (LED 12 lamp Type) (with Auto light ON/OFF specification) (Light arm 1-axis type)	△
EL mirror	△
Touchless sensor for operating lights	△
Light arm 2-axis type	△
Tact SW type panel	●
Mouse Tray*2	△
Liquid crystal display adapter mounted at dentist element*2	△
Liquid crystal display Arm mounted at light pole	△
Tablet stand*2	△
Filter Cartridge (Wate · Air)	△

*1 Please check with your distributor for available regions.

Features	
Armrest (DH side · DR side)	△
Accessories table	△
Paper holder	△
Water flushing system	△
Luxury seats	△
Doctor's Side Fixed instrument holder (5 circuits incl.)	●
Auto position control 4 positions	●
AutoFiller-for paper cups	●
Water Connector	△
Air Connector	△
Operating Stool T2	△

*2 Cannot be attached to swing models. ● : Standard △ : Option

Swing model exclusive option	
Long Arm	□
Short Arm	□
Three-way syringe WS-90P (Dr. side)	△
Side Handle	△
Under Handle	△
Straight arm and Small tray (with silicon sheet)	△
Straight arm and Large tray (with silicon sheet)	△
Narrow down arm and Small tray (with silicon sheet)	△
Narrow down arm and Large tray (with silicon sheet)	△
EX down arm and Small tray (with silicon sheet)	△
EX down arm and Large tray (with silicon sheet)	△
Silicon sheet for Dr side (edged type)	△

□ : Select △ : Option

Name signo : T100
 Model : TUA20
 Power-supply voltage : 220/230/240V AC
 Power supply input : 1kVA
 Frequency : 50/60Hz
 Seat type : Counter type
 Seat pad height(from the floor):Lowest position 400mmHighest position 750mm
 Backrest angle(relative to the horizontal):Most upright 70°±2° Most tilted2°±2°
 Weight : About 250Kg or less
 Maximum weight load : About 150Kg(Seat:89Kg,Backrest:61Kg)
 Seat lifting system : Hydraulic electrical pantograph
 Threeway syringe water jet/spray amount : 30ml/15sec or more



Development and Manufacturing

J. MORITA TOKYO MFG. CORP.

Komuro 7129, Ina-machi, Kitaadachi-gun, Saitama, 362-0806 Japan
T +81. (0)48. 723 2621, F +81. (0)48. 723 2622
Morita Global Website
www.morita.com

Distribution

J. MORITA CORP.

3-33-18 Tarumi-cho, Suita-shi, Osaka 564-8650, Japan
T +81. (0)6. 6380 1521, F +81. (0)6. 6380 0585

MORITA DENTAL ASIA PTE. LTD.

150 Kampong Ampat #06-01A KA Centre, Singapore 368324
T +65. 6779. 4795, F +65. 6777. 2279

J. MORITA CORP. AUSTRALIA & NEW ZEALAND

Suite 2.05, 247 Coward Street, Mascot NSW 2020, Australia
T +61. (0)2. 9667 3555, F +61. (0)2. 9667 3577

J. MORITA CORP. MIDDLE EAST

4 Tag Al Roasaa, Apartment 902, Saba Pacha 21311 Alexandria, Egypt
T +20. (0)3. 58 222 94, F +20. (0)3. 58 222 96

J. MORITA CORP. INDIA

Filix Office No.908, L.B.S. Marg, Opp. Asian Paints, Bhandup (West), Mumbai 400078, India
T +91-22-2595-3482

SIAMDENT CO., LTD.

71/10 Moo.5 T.Thakham A. Bangpakong, Chachuengsao 24130 Thailand
T +66. 38. 573042, F +66. 38. 573043
www.siamdent.com

PUB.NO.M0000.0.0000.0.000SSN.JPC/JPC

Diagnostic and Imaging Equipment

Treatment Units

Handpieces and Instruments

Endodontic Systems

Laser Equipment

Laboratory Devices

Educational and Training Systems

Auxiliaries